

ARX-7234-AC-PD-T

Industrial Outdoor IP67 Metal Housing IEEE 802.11a/b/g/n/ac Dual Radio Wireless AP/Client/Bridge/Repeater with PoE PD; -40°C to 70°C



Features

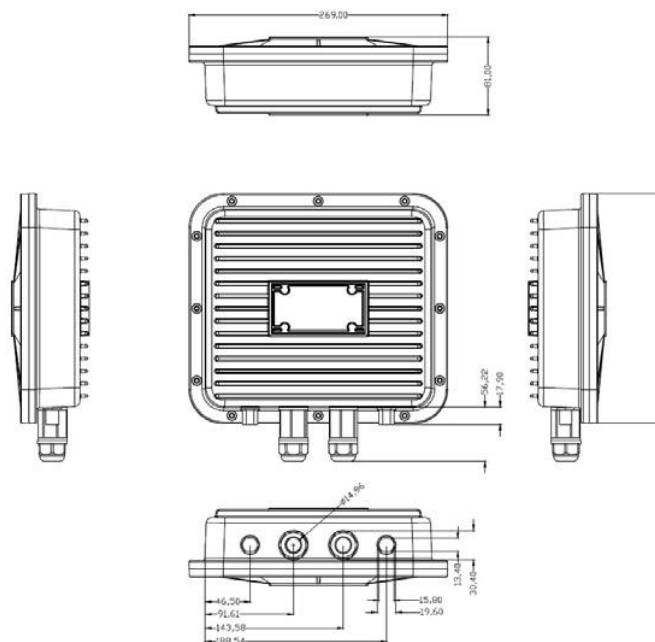
- ▶ High Speed WLAN Supports Up to 867Mbps
- ▶ Dual Radios (2.4GHz/5GHz concurrent)
- ▶ Industrial MIMO Wireless Solution (Dual 2Tx/2Rx)
- ▶ Support IEEE 802.11a/b/g/n/ac
- ▶ PD (Powered Device) IEEE 802.3af/at Compliant
- ▶ Support Ethernet Gigabit WAN/LAN Port
- ▶ Qualcomm IPQ4029 Quad-Core Wi-Fi SoC
- ▶ Tx Power 24dBm for 2.4GHz/5GHz
- ▶ WEP, WPA, WPA2, TKIP, AES
- ▶ FCC, CE, NCC, RCM Certified
- ▶ Power Input: PoE 48-56VDC
- ▶ IP67 Metal Housing
- ▶ Pole and Wall Mountable
- ▶ Operating Temperature Range: -40° to 70°C
- ▶ 5-Year Warranty

INTRODUCTION

Antaira Technologies' ARX-7234-AC-PD-T is designed for industrial and enterprise outdoor wireless access applications. Embedded with the Qualcomm IPQ4029 Quad-Core chipset, it boasts network robustness, stability, and wider network coverage. Based on IEEE 802.11a/b/g/n/ac, the access point supports high-speed data transmission of up to 867Mbps.

The ARX-7234-AC-PD-T is capable of operating in different modes, which makes it suitable for a wide variety of wireless applications including long-distance deployments.

DIMENSIONS



SPECIFICATIONS

Technology	
Standards	IEEE 802.11a/b/g/n/ac IEEE 802.3 10Base-T Ethernet IEEE 802.3u 100Base-TX Fast Ethernet IEEE 802.3ab 1000Base-T Gigabit Ethernet IEEE 802.3af/at PoE
WLAN Operation Mode	AP/Client/Bridge/Repeater
Protocol	IP, TCP, UDP, ARP, BOOTP, ICMP, HTTP, HTTPS, DNS Proxy, NAPT, SNTP, RADIUS, Dynamic DNS, SMTP, SNMP
WiFi Encryption	WEP, WPA, WPA2, TKIP, AES
Interface	
Ethernet Port	WAN: 10/100/1000Mbps LAN (PoE PD): 10/100/1000Mbps
WLAN	Dual Radio 2.4GHz/5GHz concurrent
Antenna	Two External N-Type Antennas: 5dBi for 2.4GHz, 5dBi for 5GHz (MIMO support, Dual 2Tx/2Rx)
USB	Configuration backup/restore, firmware update
Frequency Range	
IEEE 802.11b/g/n (2.4GHz)	2.412G~2.462GHz
IEEE 802.11a/n/ac (5GHz)	5.15G~5.25GHz, 5.725G~5.85GHz
Mechanical Characteristics	
Housing	Metal, IP67 protection
Dimensions	269 x 81 x 239 mm (W x H x D)
Weight	Unit: 5.82 lbs. Shipping: 7.729 lbs.
Mounting	Pole mounting, wall mounting

Power Requirement	
Input Voltage	PoE 48 to 56VDC
Power Consumption	18.9 Watts
Environmental Limits	
Operating Temperature	-40°C to 70°C
Storage Temperature	-40°C to 80°C
Ambient Relative Humidity	5% to 95%, (non-condensing)
Regulatory Approvals	
EMI	FCC Part 15 Subpart B CE EN 55032, EN301489-1/-17 FCC Part 15 subpart B CNS13438 AS/NZS CSIPR 32
EMS	CE EN 55024 IEC61000-4-2 (ESD), IEC61000-4-3 (RS), IEC61000-4-4 (EFT), IEC61000-4-5 (Surge), IEC61000-4-6 (CS), IEC61000-4-8 (Magnetic Field) IEC61000-4-11
RF	FCC Part 15 Subpart C/E CE-RED EN300328 EN301893 EN301489-1/-17 LP0002 AS/NZS 4268
RF Radiation Exposure	EN62311 FCC Part 2.1091
Safety	EN60950-1 CNS14336-1
Green	RoHS Compliant
Certifications	FCC, CE, NCC, RCM
Warranty	5 Years

ORDERING INFO

ARX-7234-AC-PD-T	Industrial Outdoor IP67 IEEE 802.11a/b/g/n/ac Dual Radio Wireless Access Point/Client/Bridge/Repeater, -40°C to 70°C
-------------------------	----------------------------------------------------------------------------------------------------------------------